

Gardner Denver

SAVG2-75 TO SAVG2-300 (75-300 HP)
FIXED SPEED ROTARY SCREW COMPRESSORS

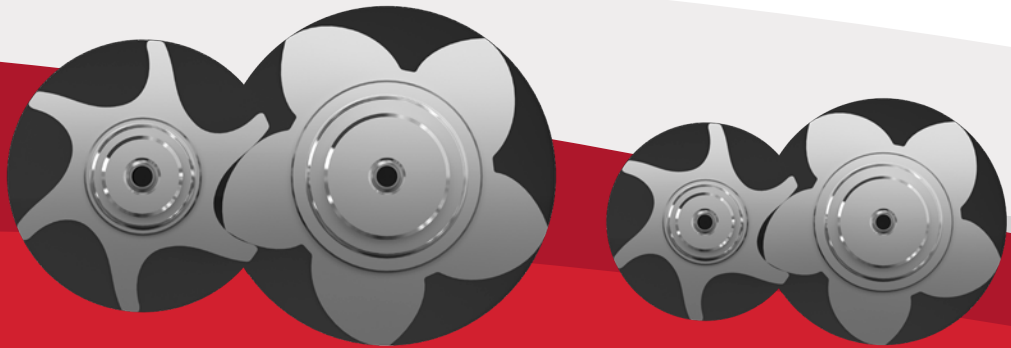
Electra Saver[®] G2



Slow Speed **Success**

A Serious Legend

The engineering ingenuity of Gardner Denver began in 1859. For over 150 years, our compressed air products have been a dependable resource for meeting the world's most demanding and ever-changing industrial needs. A legend in its own right, the Electra Saver was founded on slow-speed, 1800 rpm design principles and has been providing decades of dependability.



Larger airends, running at slower speeds, maximize efficiency and increase reliability.

Gardner Denver, 230 mm

Competition, 165 mm

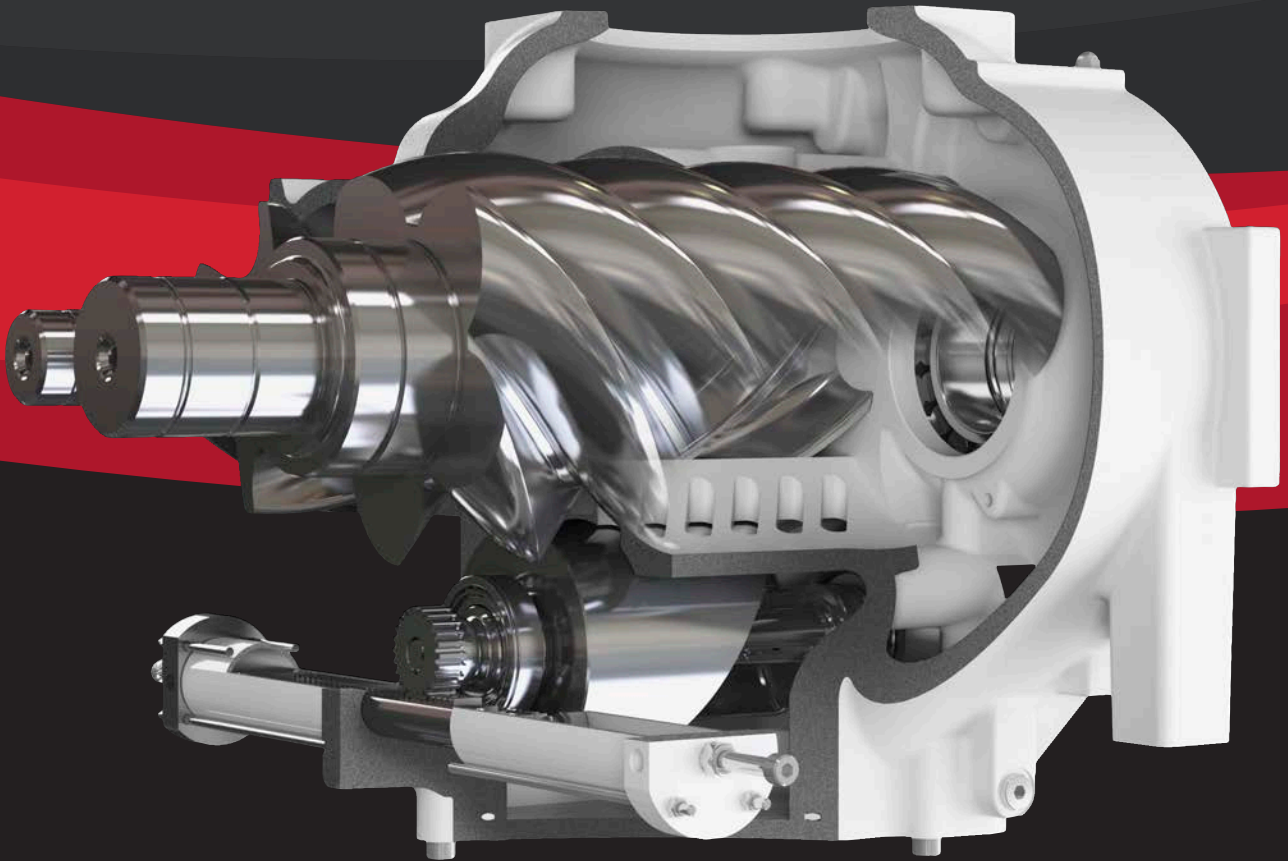
Rotor size shown for 100 hp compressors

Featuring super-sized bearings and up to **40% larger airends** than the competition, Electra Saver compressors not only outperform competition, but outlast them.

A Serious Technological Advancement

Even with careful planning, most systems experience varying air demand. As a result, compressors operate below their full-load rated capacity at what is most commonly referred to as “partial load.” The horsepower consumed at partial load operation can be significant. Gardner Denver recognized this fact and developed a variable displacement technology designed to match compressor output to compressed air demand.

The patented TurnValve™ was introduced over 30 years ago to maximize compressor efficiency. The TurnValve displaced inlet throttling technology which was the most efficient means of compressor capacity control and eliminated wide pressure fluctuations and massive storage requirements.





The TurnValve Defined

Basic Operating Principle

Air is drawn in through the fully opened inlet valve. Volumes of air are encapsulated between the male and female rotors and airend housing. The volumes are reduced through further rotation of the rotors to a fixed compression ratio and discharged out of the airend at operating pressure.

Design Features

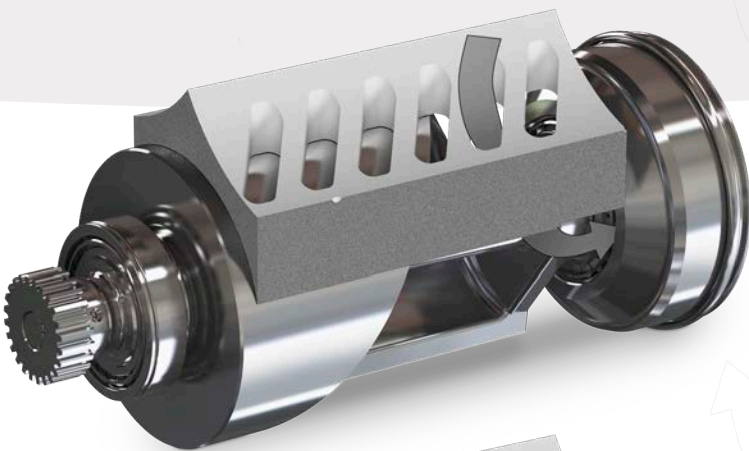
The cylindrical TurnValve has a helix-shaped relief on its outside diameter which mates to a precisely machined bore within the body of the airend housing. The TurnValve is supported axially by oversized tapered roller bearings to permit rotation through a hydraulically operated rack and pinion arrangement.

Openings, or windows, conjoin the compression chamber of the airend with the TurnValve bore where the circumference is sealed by tight clearances and lubricant to prevent air leakage during operation.



Full Load Operation

When full capacity is required, the TurnValve is positioned such that the windows are closed, resulting in maximum volume output of the air end.



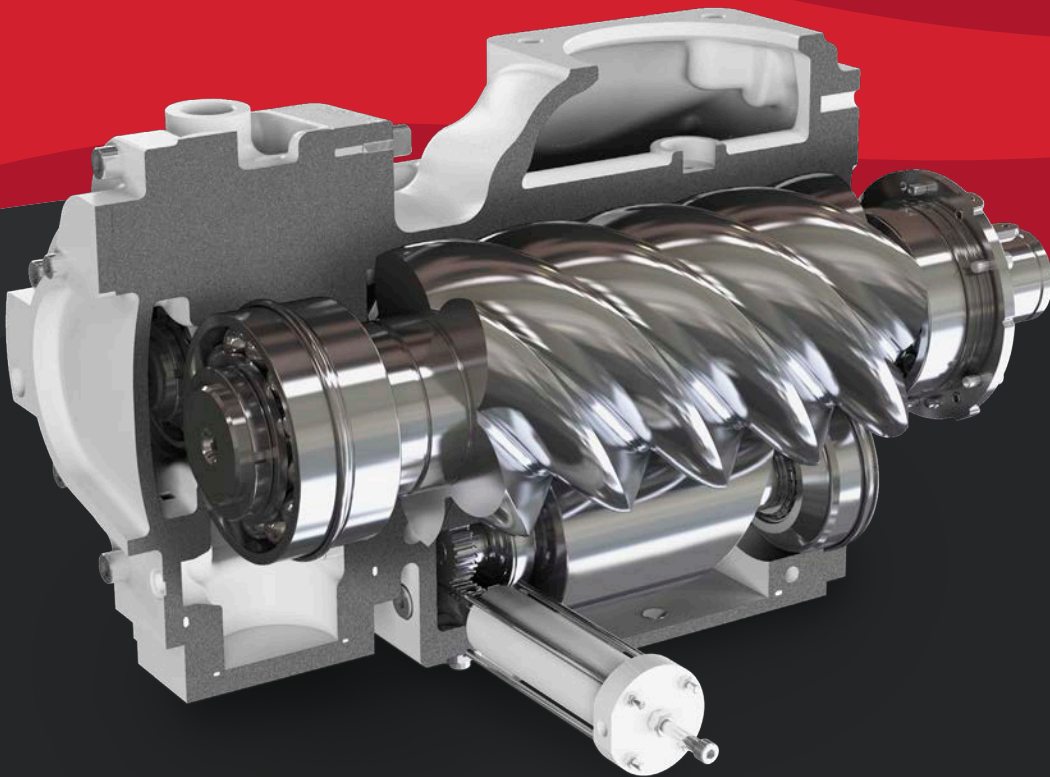
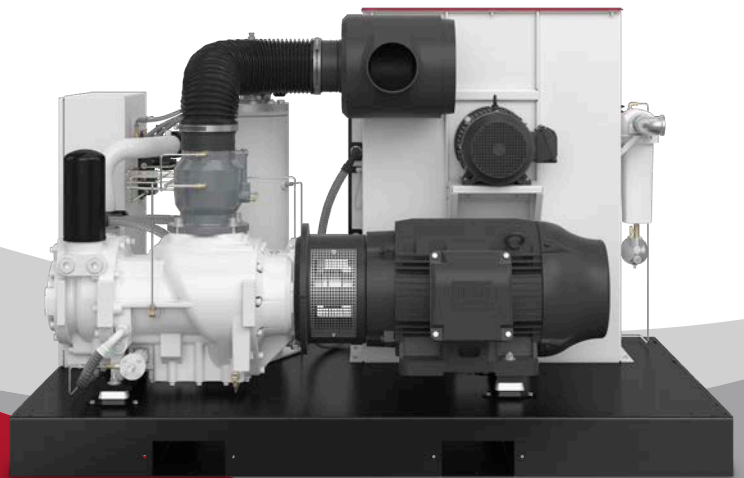
Part Load Conditions

Upon detection of decreasing system air demand (rising pressure), the TurnValve is rotated into a position where the helix relief progressively opens the succession of windows until system air pressure has stabilized.

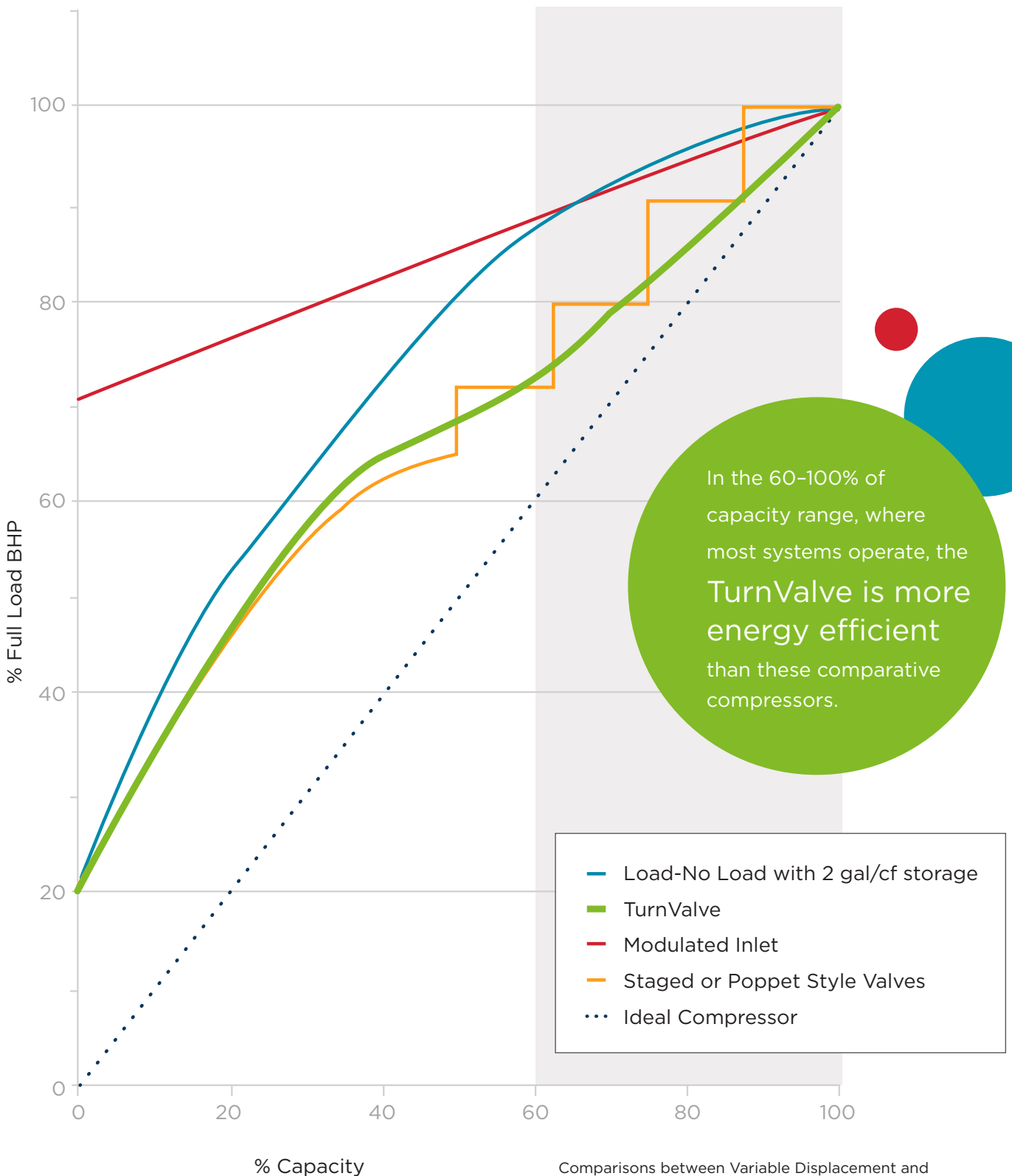
The TurnValve Advantage

Trapped volumes of air are allowed to circulate back to the inlet without being compressed, resulting in only the required amount of air being compressed to meet system demands. The effective length of the rotor is shortened resulting in variable displacement operation allowing power use to drop, thus saving energy.

The TurnValve provides the exact amount of compressed air to maintain system pressure for maximum efficiency—no more, no less. In fact, in the 60-100% of capacity range, where most systems operate, the TurnValve is more energy efficient than comparative units.



PARTIAL LOAD CAPACITY POWER CURVES



Comparisons between Variable Displacement and Variable Speed Compressors should be done with specific performance curves at required air flow.

Best of the Best

The Compressor to Exceed Your Demands

Whether it's the NEMA 4 control enclosure, intuitive Governor™ touchscreen microprocessor controller, patented TurnValve technology or quiet enclosure, the Electra Saver™ G2 is packed with high value standard and optional features that exceed your demands.

Serviceability Redefined

The Electra Saver G2 redefines serviceability. All filters and oil fill/drain points are easily accessible in both the quiet enclosed or standard unenclosed configurations. The tip-out cooler feature also ensures fast and convenient serviceability.*

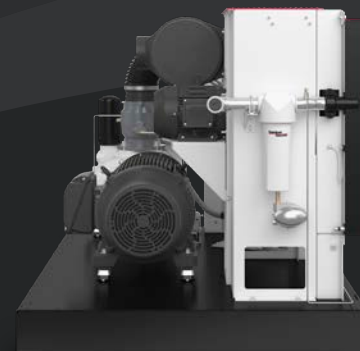
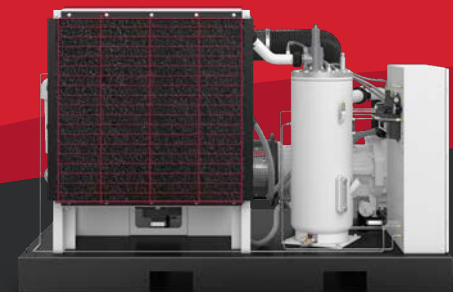
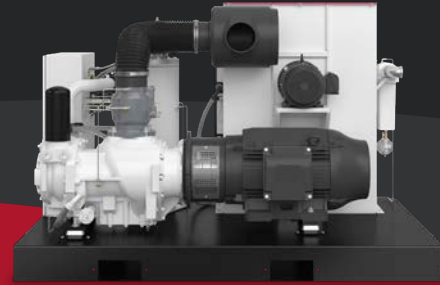
Unsurpassed Quality Components

Featuring a high performance airend, standard stainless steel control lines, seamless tubing for lubricant circulation, and 1800 rpm high efficiency motors, Gardner Denver thought of everything with the design of the Electra Saver G2.

Options to Fit Your Application

The Electra Saver G2 standard and optional features give you the flexibility to fit your application perfectly. Options such as motor types, noise reducing enclosures, cooling methods, and food grade/high-temp lubricants meet any need your application will require.

*Tip-out cooler is not available on 125-150 HP models.

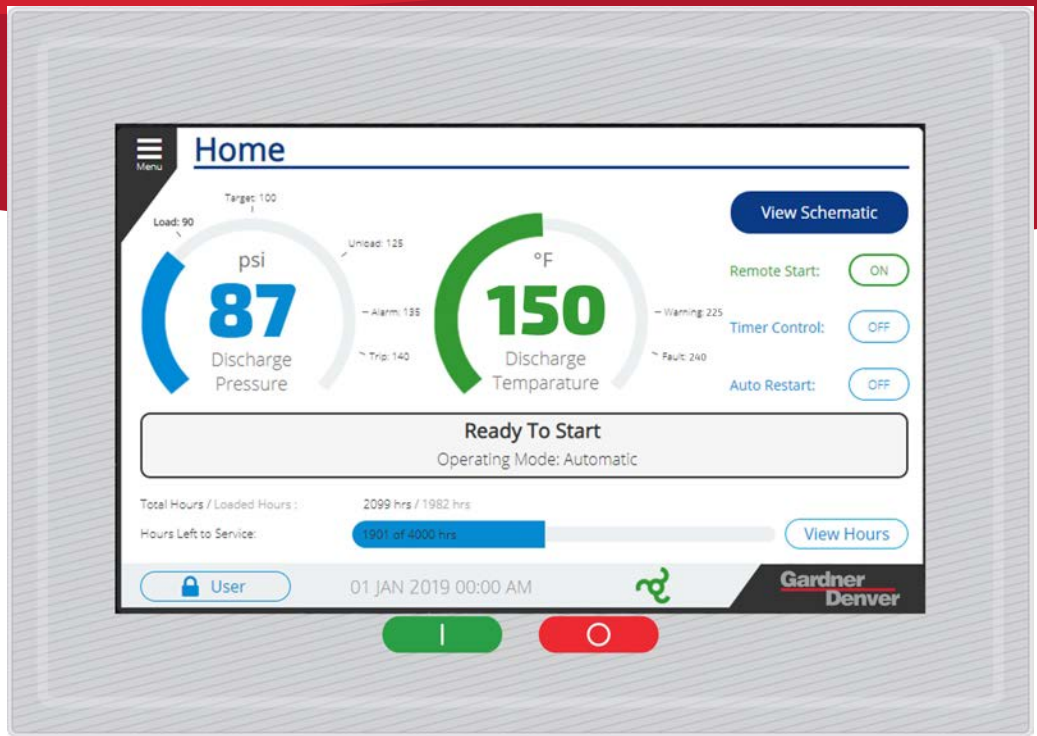




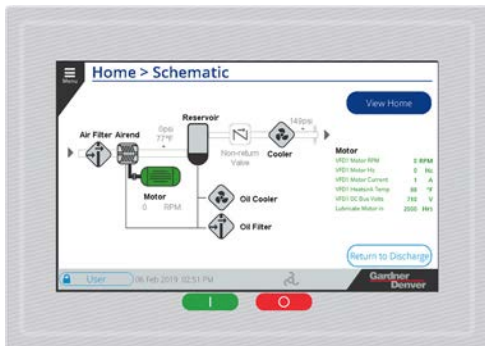
Information at Your Fingertips

The Governor™ from Gardner Denver is more than just a controller—it's the lifeline to understanding your system's operation. This state-of-the-art touchscreen controller features cutting edge graphics and advanced machine diagnostics, providing necessary compressor data and full color schematics in seconds. The revolutionary Governor™ controller is now available on all Electra Saver G2 compressor models.





Governor™ Controller



A New Generation of Control

- Available on the entire Electra Saver G2 product line (75–300 HP).
- User-friendly navigation with state-of-the-art graphics and designs
- Machine status available on a 7-inch, full color touchscreen display
- Detailed schematics at your fingertips
- Advanced machine diagnostics
- Data logging and iConn connection
- Web server to allow access to the Governor™ from your desktop

Keeping the System Healthy

Ensure your
compressed air
system remains a
total package

Total System Protection

Since 1859, Gardner Denver has been supporting the compressed air industry with high quality, long-lasting compressor and air treatment solutions. Carrying on that legacy, our robust line of parts, lubricant and downstream accessories ensure your system stays healthy.

Gardner Denver's focus on total system protection not only includes OEM parts and fluid solutions, but a commitment to the longevity of your equipment through our industry leading warranty programs.

Protect your investment.



Best **Warranties** in the Industry

The engineering philosophy of Gardner Denver is to design high quality, reliable equipment and help you protect your new equipment to give you peace of mind. We offer a good, better, and best approach to warranty programs.



Standard Warranty

Protects your newly purchased equipment if you encounter defects in materials or workmanship for 1 year and provides 2 years of parts and labor coverage for most major components.

Platinum 10-Year Extended Warranty

The Platinum 10-Year Extended Warranty covers everything in the Standard Warranty as well as defects in materials or workmanship of the airen parts for 10 years and provides 5 years coverage on major components. The equipment must be maintained on-schedule in accordance with the requirements of the warranty statement and the operations manual.

Platinum+ Full Package Warranty

Adds to the coverage of the Platinum 10-Year Extended Warranty and changes to a 5-year renewable service agreement with one of our factory-trained distributors. By paying for the additional protection, you gain peace of mind, a partnership with your trusted distributor, and the added coverage of wear items and other package components.

Sales & Service **Distributors** Across America

An Extensive Network

By leveraging the extensive network of Gardner Denver factory-trained authorized local distributors, your sales, service and technical support needs can be handled quickly and easily.



To find a distributor visit:
www.GardnerDenver.com

Specifications

ELECTRA SAVER G2 75-300 HP ROTARY SCREW COMPRESSOR

| MODEL | DRIVE MOTOR | | 50 Hz | | | | 60 Hz | | | | | | | |
|-----------|-------------|-----|------------------|------|------|---------------------|------------------|------|------|---------------------|---|---------------------|-------|--------------------------------------|
| | | | NOMINAL PRESSURE | | FAD | | NOMINAL PRESSURE | | FAD | | NOISE LEVEL ¹ ENCLOSED/ UNENCLOSED | WEIGHT ² | | DIMENSIONS ² L x W x H |
| | | | PSIG | BAR | ACFM | M ³ /MIN | PSIG | BAR | ACFM | M ³ /MIN | | DB(A) | LBS | |
| SAVG2-75 | 75 | 55 | 100 | 6.9 | 373 | 10.56 | 100 | 6.9 | 385 | 10.9 | 74/81 | 4,521 | 2,051 | 90 x 61 x 59 |
| | | | 110 | 7.6 | 345 | 9.77 | 110 | 7.6 | 344 | 9.74 | | | | |
| | | | 125 | 8.6 | 344 | 9.74 | 125 | 8.6 | 342 | 9.68 | | | | |
| SAVG2-100 | 100 | 75 | 100 | 6.9 | 496 | 14.05 | 100 | 6.9 | 518 | 14.67 | 74/81 | 4,660 | 2,114 | (2286 x 1549 x 1499) |
| | | | 125 | 8.6 | 463 | 13.11 | 125 | 8.6 | 467 | 13.22 | | | | |
| | | | 150 | 10.3 | 422 | 11.95 | 150 | 10.3 | 411 | 11.64 | | | | |
| SAVG2-125 | 125 | 90 | 100 | 6.9 | 629 | 17.81 | 100 | 6.9 | 650 | 18.41 | 79/88 | 7,800 | 3,538 | 122 x 75 x 79 |
| | | | 125 | 8.6 | 580 | 16.42 | 125 | 8.6 | 597 | 16.91 | | | | |
| | | | 150 | 10.3 | 525 | 14.87 | 150 | 10.3 | 528 | 14.95 | | | | |
| | | | 175 | 12.0 | 454 | 12.86 | 175 | 12.0 | 445 | 12.60 | | | | |
| SAVG2-150 | 150 | 110 | 100 | 6.9 | 757 | 21.44 | 100 | 6.9 | 767 | 21.72 | 79/88 | 8,000 | 3,629 | (3096 x 1902 x 2013) |
| | | | 125 | 8.6 | 694 | 19.65 | 125 | 8.6 | 696 | 19.71 | | | | |
| | | | 150 | 10.3 | 630 | 17.84 | 150 | 10.3 | 633 | 17.92 | | | | |
| | | | 175 | 12.0 | 522 | 14.78 | 175 | 12.0 | 525 | 14.85 | | | | |
| SAVG2-200 | 200 | 150 | 100 | 6.9 | 980 | 27.76 | 100 | 6.9 | 1039 | 29.43 | 76/85 | 10,200 | 4,627 | |
| | | | 125 | 8.6 | 948 | 26.85 | 125 | 8.6 | 938 | 26.57 | | | | |
| | | | 150 | 10.3 | 857 | 24.26 | 150 | 10.3 | 845 | 23.94 | | | | |
| | | | 175 | 12.0 | 887 | 25.11 | 175 | 12.0 | 907 | 25.69 | | | | |
| SAVG2-250 | 250 | 185 | 100 | 6.9 | 1234 | 34.93 | 100 | 6.9 | 1265 | 35.82 | 76/85 | 10,500 | 4,763 | 129 x 90 x 76 |
| | | | 125 | 8.6 | 1155 | 32.71 | 125 | 8.6 | 1184 | 33.54 | | | | |
| | | | 150 | 10.3 | 1048 | 29.66 | 150 | 10.3 | 1074 | 30.41 | | | | |
| | | | 175 | 12.0 | 887 | 25.11 | 175 | 12.0 | 907 | 25.69 | | | | |
| SAVG2-300 | 300 | 225 | 100 | 6.9 | 1492 | 42.23 | 100 | 6.9 | 1479 | 41.88 | 76/85 | 10,850 | 4,921 | (3277 x 2286 x 1930) |
| | | | 125 | 8.6 | 1354 | 38.35 | 125 | 8.6 | 1387 | 39.27 | | | | |
| | | | 150 | 10.3 | 1231 | 34.84 | 150 | 10.3 | 1261 | 35.71 | | | | |
| | | | 175 | 12.0 | 1047 | 29.65 | 175 | 12.0 | 1074 | 30.40 | | | | |
| | | | 200 | 13.8 | 1044 | 29.56 | 200 | 13.8 | 1070 | 30.30 | | | | |

1) Noise levels are for enclosed/unenclosed air-cooled models.

2) Weights and dimensions are for air-cooled unenclosed models.



The leader in every market we serve
by continuously improving all business processes
with a focus on innovation and velocity

**Gardner
Denver**[®]

Gardner Denver, Inc.
1800 Gardner Expressway
Quincy, IL 62305
www.gardnerdenver.com



©2021 Gardner Denver, Inc. Printed in U.S.A.
GS-SAVG2-FAM 4th Ed. 12/21

 Please recycle after use.