

Installation,
Operating &
Maintenance
Manual

(Original Instructions)

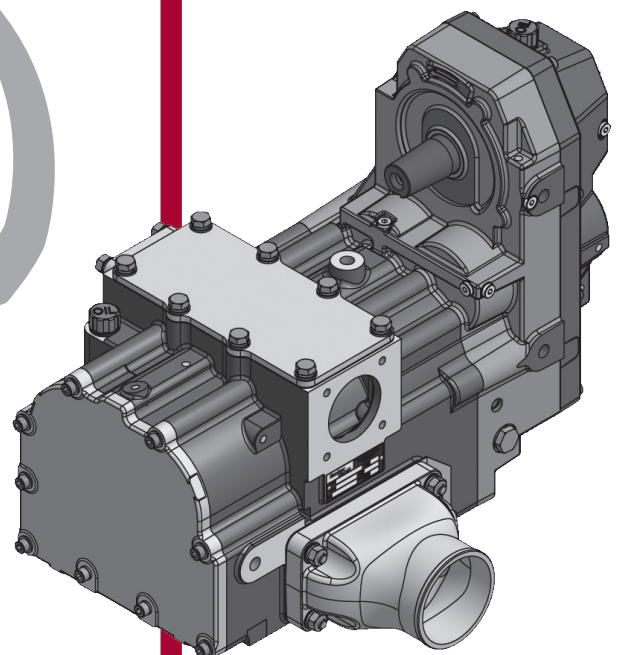
Gardner
Denver

**TR20 SCREW
COMPRESSOR**

Models

TR20 Rear ACW

TR20 Rear CW



Contents

Chapter		Page
1	Health & Safety	
	Health & Safety	3
2	General	
2.1	Product general description	4
2.2	Drive options	4
2.3	Available packages	5
2.4	Dimensions, performance data, and operating environment.....	6
3	Installation	
3.1	General mounting considerations	7
3.2	Lifting	7
3.3	Mounting	8
3.4	Lubrication.....	9
3.5	PTO and prop. shaft drive alignment	10
3.6	Pipe work.....	12
3.7	Commissioning filter.....	12
3.8	Ancillaries.....	13
3.9	Package 1 layout/parts.....	14
3.10	Package 2 layout/parts.....	15
4	Operating and Commissioning	
4.1	Pre-commissioning check list.....	16
4.2	Inlet commissioning filter	16
4.3	Monitoring probes.....	16
4.4	Commissioning procedure	17
4.5	Driver Operating Instructions.....	19
4.6	Driver Training.....	20
	Commissioning Test sheet	21
5	Maintenance	
5.1	Schedule.....	22
5.2	Change Gear Case Oil	22
5.3	Valves.....	23
5.4	Silencers/Pipework.....	23
5.5	Air Inlet Filter - cyclonic.....	24
5.6	Alternative Oils.....	24
	Service Maintenance sheet.....	25

1

Health & Safety

READ THE WHOLE MANUAL BEFORE COMMENCING INSTALLATION.



Static electricity.

Ensure, that where required, the compressor and ancillaries are earthed in accordance with BS5958 Part 1 1983; 'Control of Undesirable Static Electricity'.

Powder-air combinations are potentially explosive.



Drive line.

It is the responsibility of the installer of the equipment to ensure all rotating and moving parts of the installation are adequately guarded to a standard which complies with the prevailing safety legislation.



Compressor.

The compressor has internal moving parts some of which may be accessed through the inlet and outlet apertures. Do not place any objects especially fingers into these apertures since personal injury could result.



Installation.

A relief valve must be fitted in the outlet pipe work as close to the compressor as possible. The valve must be positioned so as not to vent air onto any personnel since the air discharged will be hot and can cause severe burns.



Storage/Low use

Before the machine is installed or when it will not be used for long periods:

- Store in a dry, heated building.
 - Handle with care and keep the suction and delivery ports covered.
 - Rotate the drive shaft each week, in the direction shown by the arrow on the cover.
- Where the compressor is mounted on a vehicle and located outside, it should be operated for at least 15 minutes each week (twice a week in damp/cool conditions)



Fire.

The compressor includes seals made of fluoroelastomer polymers which degrade if exposed to temperatures above 300°C. If the material has been so exposed then it must not be handled with bare hands.



Relief Valve Check

This procedure should be carried out every month to clear the valve seat and check the valve is functional. (Ear protection is recommended)

2

General

2.1 Product general description

The TR20 is a robust, high flow, oil free, contactless, low maintenance screw compressor designed for the contaminant free discharge of a wide range of product types including the following:

1. Granular, pellet and random particle products at 1-1.5 bar g (e.g. sugar, plastic granules and animal feeds) with a higher pressure availability to dislodge any blockages in conveying pipes during the discharge.
2. Discharging more dense bulk powder products (e.g. cement, flour and lime), usually at 1.5-2.0 bar g (at the tank) pressure in 3", difficult or large bore conveying pipe.

The machine comprises synchronised screw rotors, combined main body/step up gearcase assembly and inlet bearing carrier.

The compact shape and size of the compressor make it ideal for mounting inside the chassis on most vehicles to enable low cost prop shaft driving.

CW or ACW machines are available, with mounting points on either side of the machine to provide further flexibility.

The standard compressor package consists of the following equipment:

- Basic TR20 machine and mounting kit.
- Inlet filter kit
- Commissioning filter
- Relief valve
- Check valve and flange pack.
- Discharge (outlet) silencer - absorptive or reactive
- Torque limiting coupling

NOTE



The shape and size of the compressor make it particularly suitable for PTO/prop shaft driving inside the vehicle chassis on most applications.

2.2 Drive options

The TR20 can currently be driven using the following drive systems:

Prop shaft drive Direct from a vehicle PTO

General

2.3 Available packages - see fig 1

The following packages are available as standard:

Package 1 - Loose ancillaries with absorptive discharge silencer

Standard ancillaries supplied as separate items including the absorptive type discharge silencer and inlet filter kit

Package 2 - Loose ancillaries with reactive discharge silencer

Standard ancillaries supplied as separate items including the reactive type discharge silencer and inlet filter kit

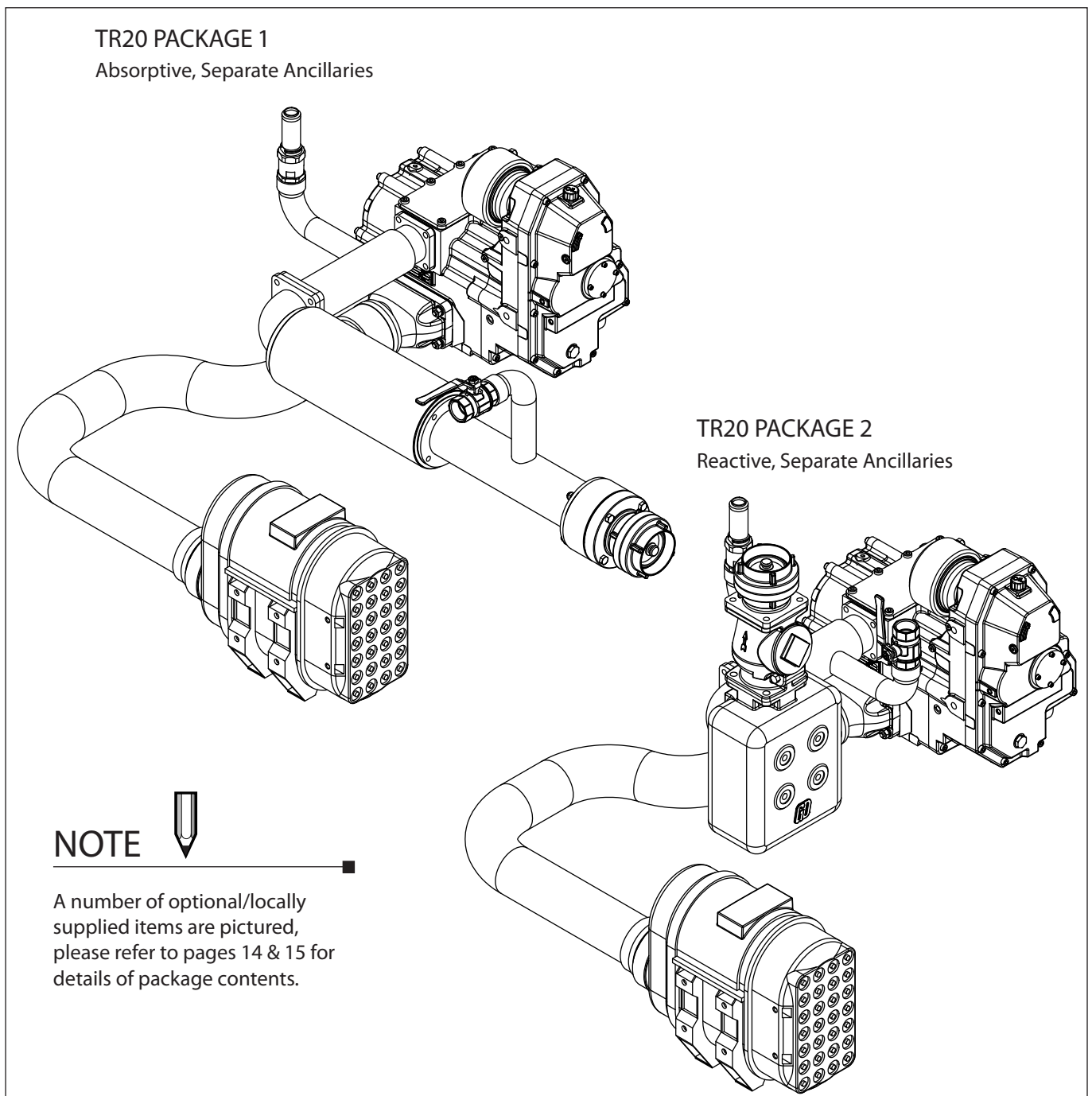


Figure 1. Standard Packages (1 & 2)

General

2.4 Dimensions, Performance data & Operating Environment

Dimensions

The dimensions of the basic TR20 are shown in figure 2 below.

Performance

The performance details and power requirements of the compressor are shown on the product data sheet.

For additional information, the constant running torque does not exceed:

347 Nm on the standard TR20 Speed range 900 - 1650 rpm

Operating environment

The permissible/foreseen operating environment is as follows:

Ambient temperature range	-40 to +50°C
Resistant to tropical rain (in operation and transit), salt and sun	
Humidity level	Up to 100% RH condensing
Vibration level	0 to 40 Hz; ± 40 mm amplitude tested.
Inlet depression	Not to exceed 100 mbar
Orientation	See fig 4 page 8
Max. outlet temperature	250°C

CAUTION

Prop shaft drive start-up conditions could be severe. A Gardner Denver torque limiting coupling is recommended to protect the compressor and drive system.

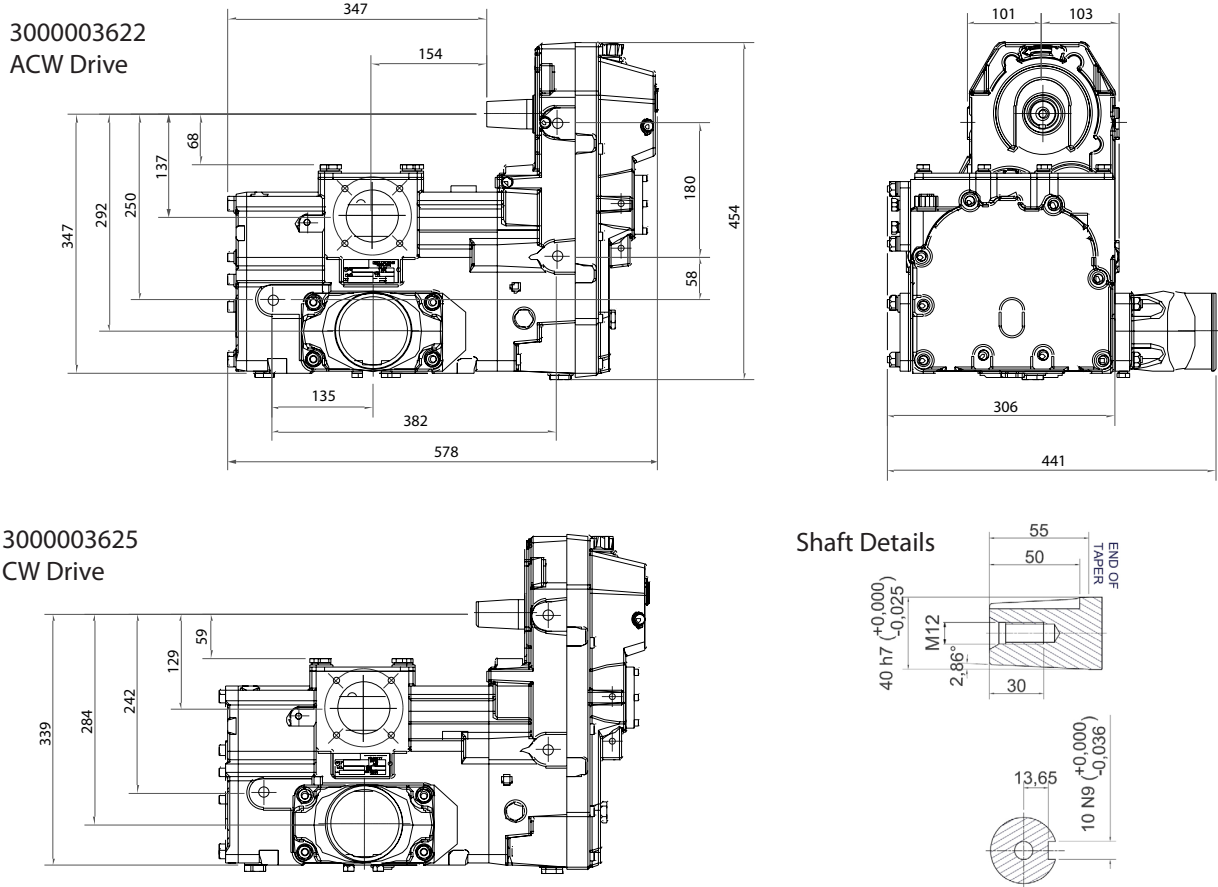


Figure 2. Dimensions - basic machine

3

Installation

3.1 General

When selecting the machine mounting position, the following points should be considered:

- Access to oil fill/level and drain plugs
- Install away from sources of heat, e.g. vehicle exhaust air or hot pipes that could effect the compressor temperature in any way.
- Venting relief/control valve air must be unobstructed and direct to the atmosphere.
- Fit the relief and/or protection valve control valves as close as possible to the TR20 discharge port.
- Venting valves must be positioned so that hot air cannot vent onto the operator or the compressor
- Silencers should be fitted as close as possible to the discharge port.

For the recommended layout of the machine and ancillaries, see figure 1.

3.2 Lifting - see fig. 3

The weight of the basic compressor without ancillaries is 140 kg.

The mounting face to which the basic machine is fitted should be flat to avoid distortion/stress and mounting bolts/locking nuts should be M16, grade 8.8 or higher.

The basic compressor is supplied with an eyebolt attached for lifting. When the machine has been installed, the eyebolt should be removed. Any equipment used for lifting should be rated accordingly.

CAUTION



Do not lift using other parts of the machine.

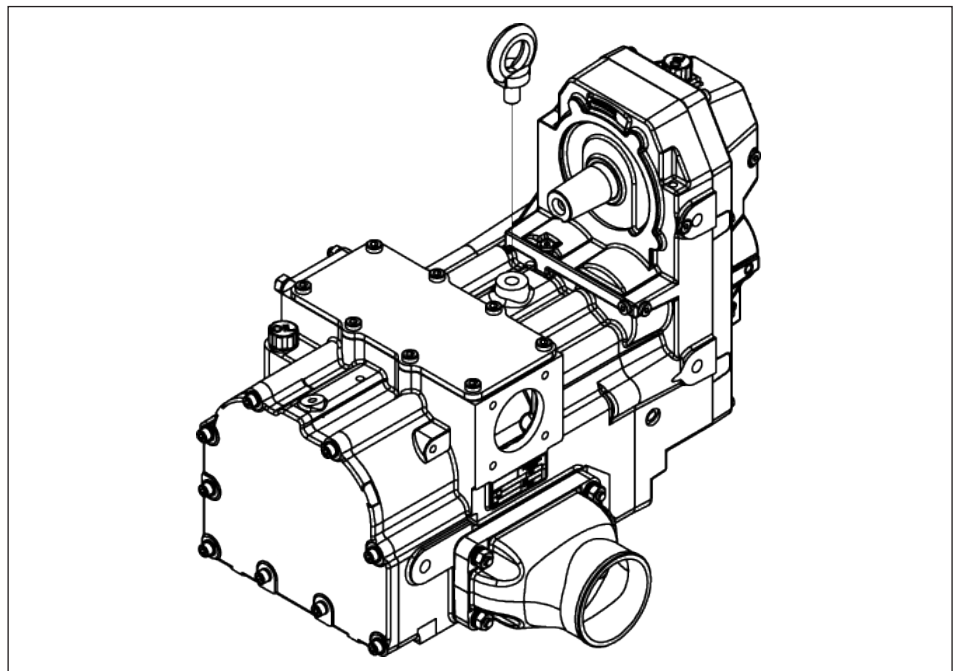


Figure 3. Lifting

Installation

NOTE



The compressor has three mounting feet on each side of the machine and should be mounted using all 3 feet on one side only.

CAUTION



An incorrect drive rotation will damage the compressor.

NOTE



Loctite 270 should also be applied to secure the M16 mounting studs into the TR20 feet.

3.3 Mounting

The TR20 should be installed vertically utilising all three mounting feet on one side of the machine. The drive direction is specific to machine and is shown on the machine itself (arrow indicating rotation next to input shaft). Additionally, the machine has discharge flanges on both sides and above.

The input drive rotation and air path possibilities are shown below.

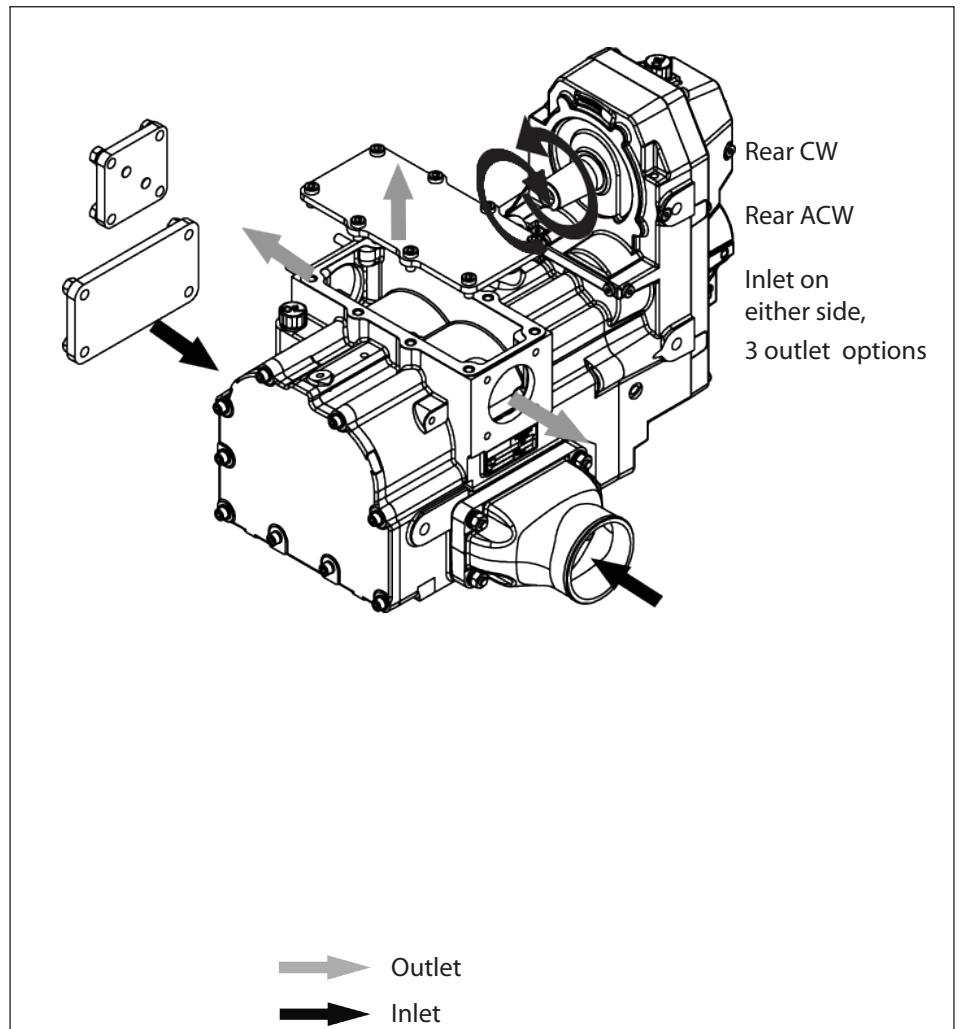


Figure 4. Mounting & Drive options

The basic TR20 compressor should be installed/mounted (using the M16 fittings supplied in the machine mounting kit) as shown in fig. 5.

All M16 Grade 8.8 mounting nuts/bolts should be applied at a torque setting of 225Nm.

Installation

NOTE

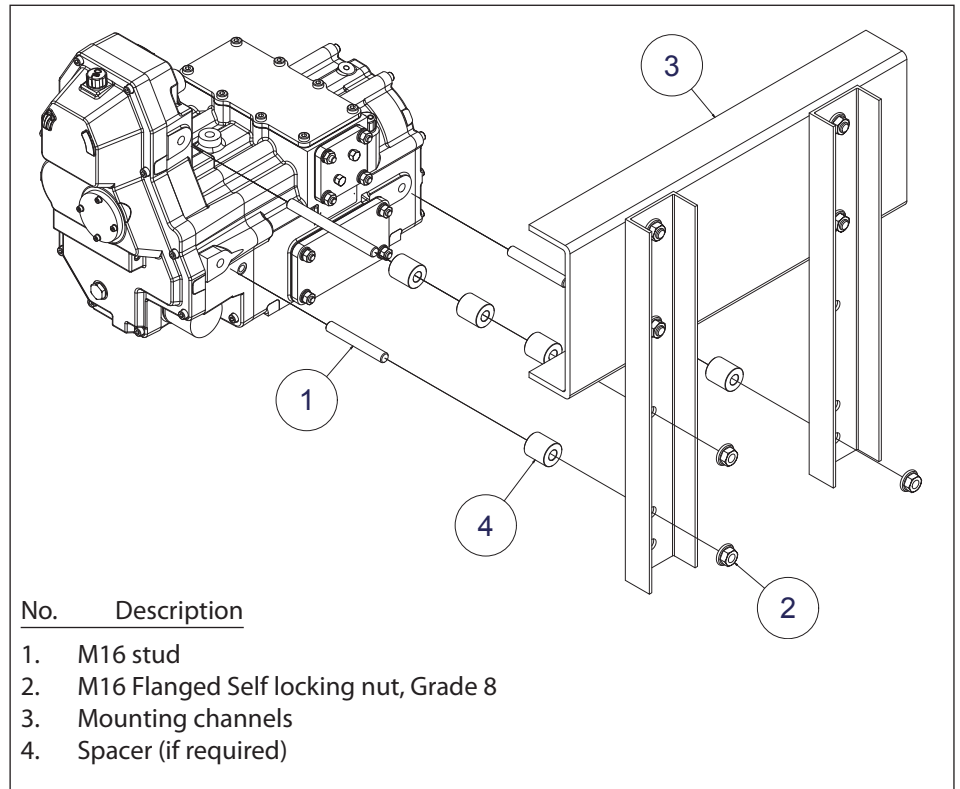


Alternative mounting channels may be necessary due to other vehicle ancillaries (e.g. fuel tank). These should provide comparative strength to the configuration shown.

NOTE



Taper washers should be used if mounting channels with tapered flanges are to be used.



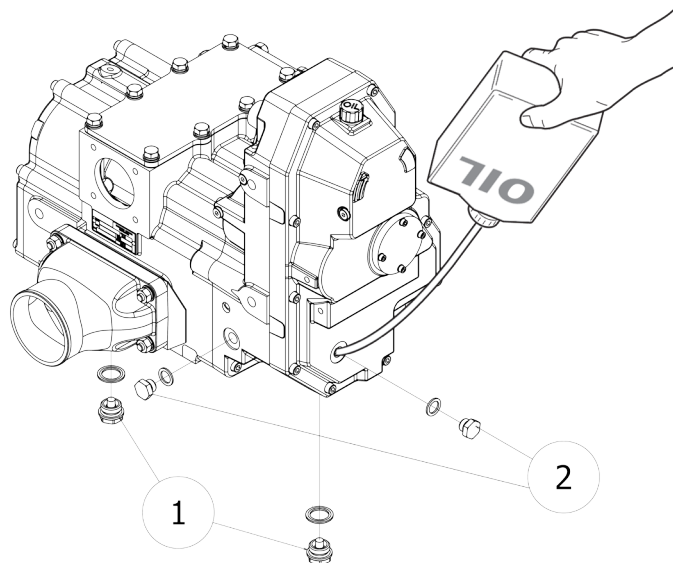
No.	Description
1.	M16 stud
2.	M16 Flanged Self locking nut, Grade 8
3.	Mounting channels
4.	Spacer (if required)

Figure 5. Mounting Details - separate ancillary packages

3.4 Lubrication

The TR20 is supplied complete with oil.

When the compressor has been mounted, the oil level should be re-checked as shown in figure 6 and topped-up with oil through, and up to, one of the fill/level plug holes (approximately 2.5 litres total if necessary).



Key

- 1 - Magnetic drain plug and washer
- 2 - Fill plug and washer

Figure 6. Oil Lubrication Components

Installation

3.5 PTO and prop shaft drive alignment

Drive couplings

See the 'Ancillaries' (section 3.8-torque coupling) for recommendations on couplings for PTO drives.

Before fitting, the tapers on the machine shaft and drive coupling should be clean and damage free to help ensure the flange fits correctly. Both tapers should be smeared with a light oil to aid future separation.

The companion flange should be fitted to the compressor shaft in line with Figure 7b, for the DIN type coupling and Figure 7c for the SAE type coupling.

The cap screw and washer which is used to retain the coupling to the shaft, should be tightened to a torque of 88Nm.

Flange/coupling removal should only be undertaken with the aid of a puller type device and screw in the shaft end, as shown in Figure 7a, to avoid damaging the flange or shaft end.

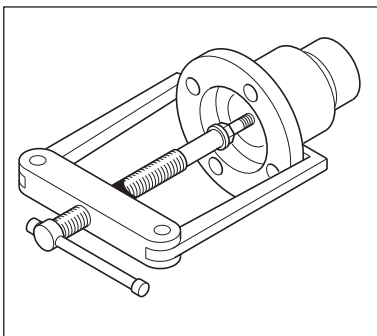


Figure 7a. Drive Flange Removal

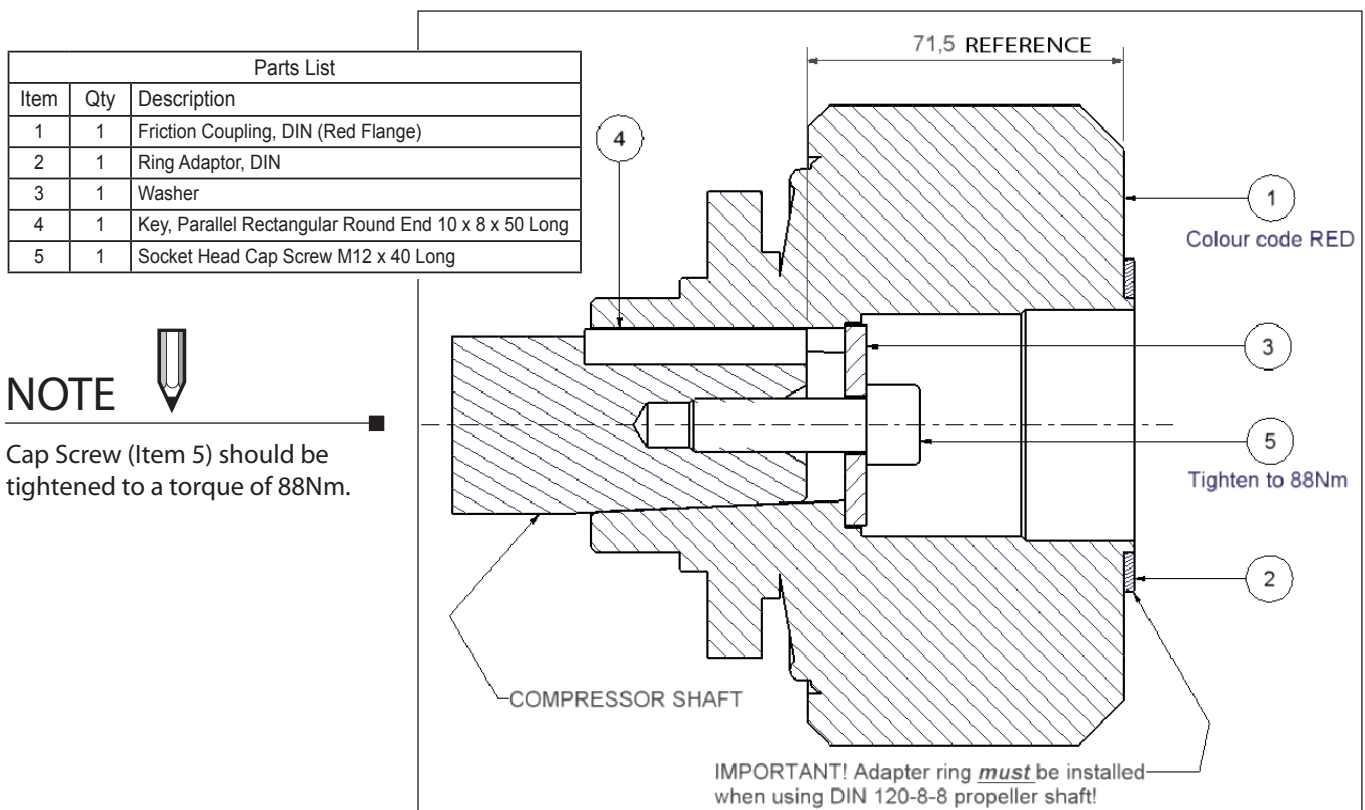


Figure 7b. DIN Friction Coupling

Installation

3.5 PTO and prop shaft drive alignment (cont.)

Drive Couplings (cont.)

Parts List		
Item	Qty	Description
1	1	Friction Coupling, SAE (Blue Flange)
2	1	Ring Adaptor, SAE
3	1	Washer
4	1	Key, Parallel Rectangular Round End 10 x 8 x 50 Long
5	1	Socket Head Cap Screw M12 x 40 Long

NOTE

Cap Screw (Item 5) should be tightened to a torque of 88Nm.

NOTE

The compressor should be mounted so that the prop shaft angle between the PTO and TR20 in any plane (including compound angles) is less than or equal to 12° (see figure 8).

NOTE

Also check the prop shaft manufacturers' information for the permitted installed angle.

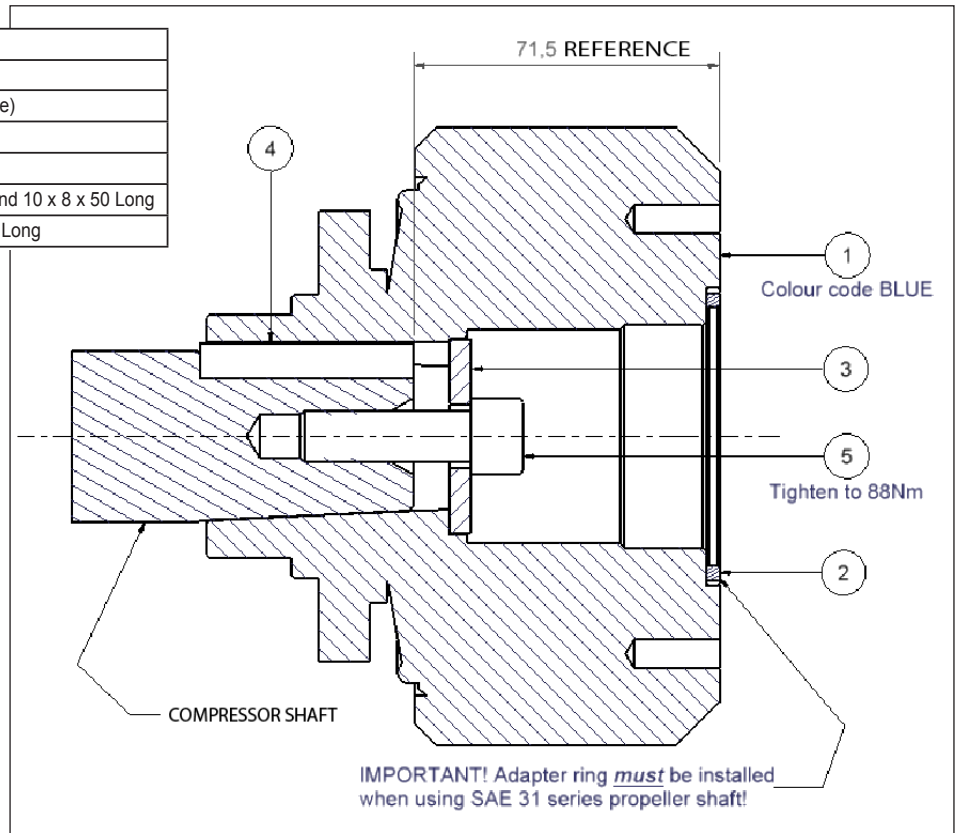


Figure 7c. SAE Friction Coupling

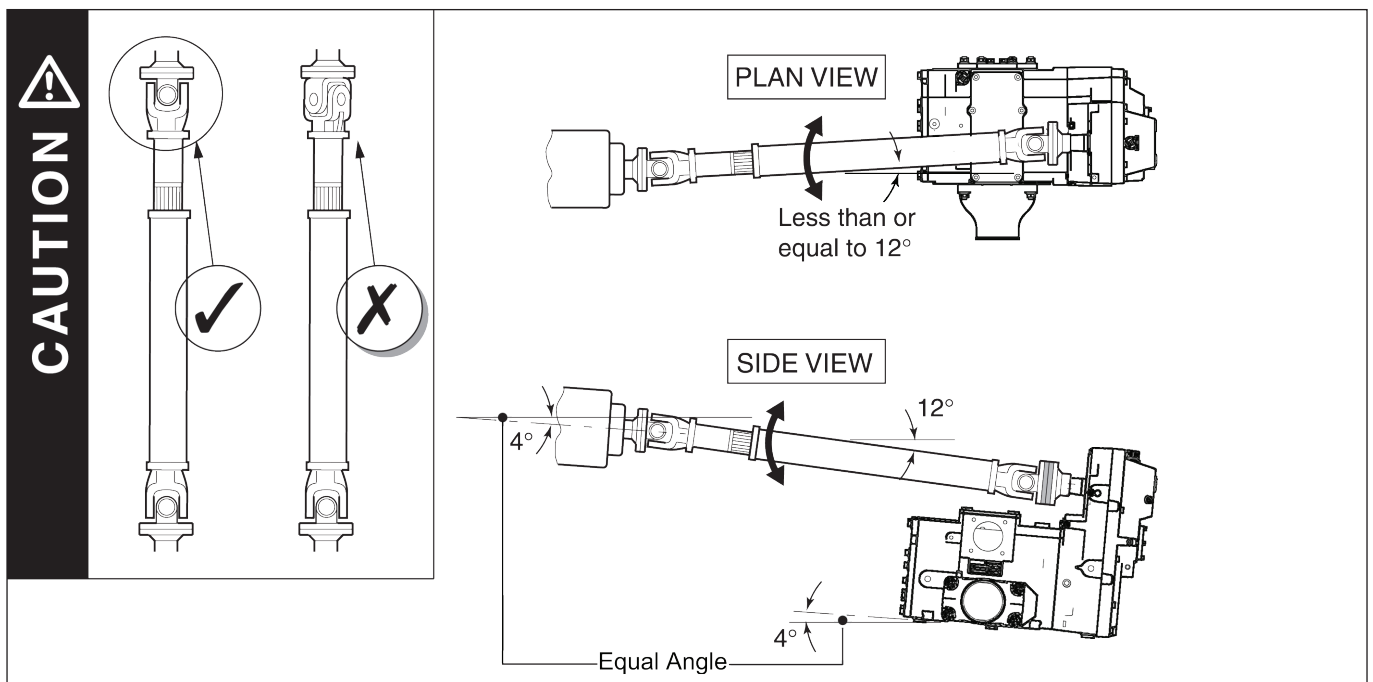


Figure 8. Drive Alignment

Installation

3.5 PTO and prop shaft drive alignment (cont.)

Alignment - See Figure 8

NOTE

The compound prop shaft angle must also be less than 12°.

NOTE

Also check the prop shaft manufacturers information.

The axis on the majority of PTO's is mounted at approximately 2° - 5° to the horizontal, which reflects the angle of the engine and gearbox.

The compressor should be mounted so that its drive axis is parallel to the PTO's drive axis.

The compressor should also be mounted so that the prop shaft angle between the PTO and the compressor input in any plane is less than or equal to 12°.

Consideration should be given to the prop shaft length when mounting the machine.

The prop shaft should be sized so that it always has sliding clearance.

It is recommended that a torque limiting device should be installed between the compressor and PTO drive flanges to protect the drive line against all eventualities. Torque limiting couplings are supplied as an optional ancillary.

3.6 Pipework

Figures 10a and 10b show a breakdown of packages 1 and 2.

Flexible pipe is provided in the inlet induction kit with both packages.

Where any pipework is to be fabricated using slip-on-weld flanges, such as to the inlet in Fig 9, the following points should be followed to prevent damage to the machine and contamination of the discharged product.

- All inlet pipework must be stainless steel or thick wall aluminium to help prevent corroded particles entering the machine and reduce noise emissions.
- Outlet pipework can be fabricated from any material (including mild steel) to suit the application.
- All fabricated pipework, should be de-scaled/cleaned before commissioning the compressor.
- Pipework should be attached to the vehicle chassis using flexible mountings to prevent unnecessary vibration and noise transfer.
- A flexible element is recommended in the discharge pipework (and inlet pipework when necessary) to prevent distortion of the TR20 from the fabricated pipework through chassis movement and heat expansion.

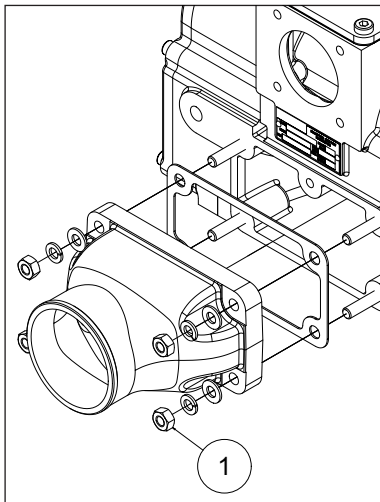


Figure 9. Inlet Flange

NOTE

Tighten item 1 fig. 9 to a torque of 50 Nm. See above.

CAUTION

After the initial 15 minute commissioning run (at 900rpm), the filter **must** be replaced with the standard inlet flange gasket.

Prolonged or higher speed operation with the filter fitted will result in machine failure.

3.7 Commissioning Filter

The compressor is supplied with a commissioning filter fitted to the inlet port to prevent debris entering the machine during the installation and initial commissioning processes.

Installation

3.8 Ancillaries (relating to figures 10a - 10b)

Inlet Air Filter and Flexible Induction Kit

Should be located so that the inlet air is cool and clean. Do not mount close to exhausts or other warm air sources.

Relief Valve

The relief valve is installed to prevent the TR20 from encountering pressures beyond its operating range.

The relief valve should be installed as close as possible to the discharge port of the machine prior to any other discharge ancillary and should be mounted vertically (as shown in fig 10).

It is pre-set, wired and leaded (tamper proof) and fitted to protect the TR20 (rather than the system which should be protected by the vehicle tank relief valve) against pressures of over 2.2bar g . Adjustment of the machine relief valve will invalidate the TR20 and relief valve warranty.

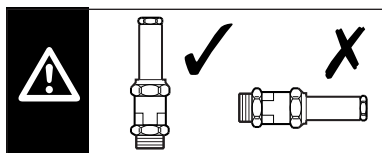


Fig 10. Relief valve orientation

Discharge Silencer

Should be mounted/connected as close as possible to the discharge port (after the relief valve) utilising the slip-on-weld flanges supplied.

Silencers should be mounted/supported separately to prevent the generation of loads on the machine and discharge port due to weight or temperature expansion. Flexibility in the mounting or connecting pipework to the silencer should be incorporated where this could occur.

Check (non-return) valve

This is to prevent a back-flow of air and product (often encountered when stopping compressors whilst the discharge tank is still pressurised) from entering and damaging the TR20.

The check valve should be the last ancillary on the discharge pipework (but before any regular disconnection point) to protect all the other ancillaries. It is often mounted directly to the delivery port of the discharge silencer.

If the check valve is mounted horizontally, the check valve hinge should be positioned at the top in horizontal pipework to encourage closure under gravity.

Torque Coupling

We recommend and supply a torque-limiting device for fitting to the compressor when direct PTO driving.

This is to protect all the drive-line equipment against the possibility of high torque during operation for any circumstances.

Expansion Joints

Any pipework or equipment should incorporate flexible elements where:

- Movement due to thermal expansion is likely
- Pipework crosses the vehicle chassis.

Ball Valve

A 1" - 1.5" manual ball valve must be fitted on the discharge side of the machine between the compressor discharge port and the check valve.

This allows the compressor discharge air to vent to atmosphere to prevent the machine being started against a pressurised tank.

Commissioning Filter

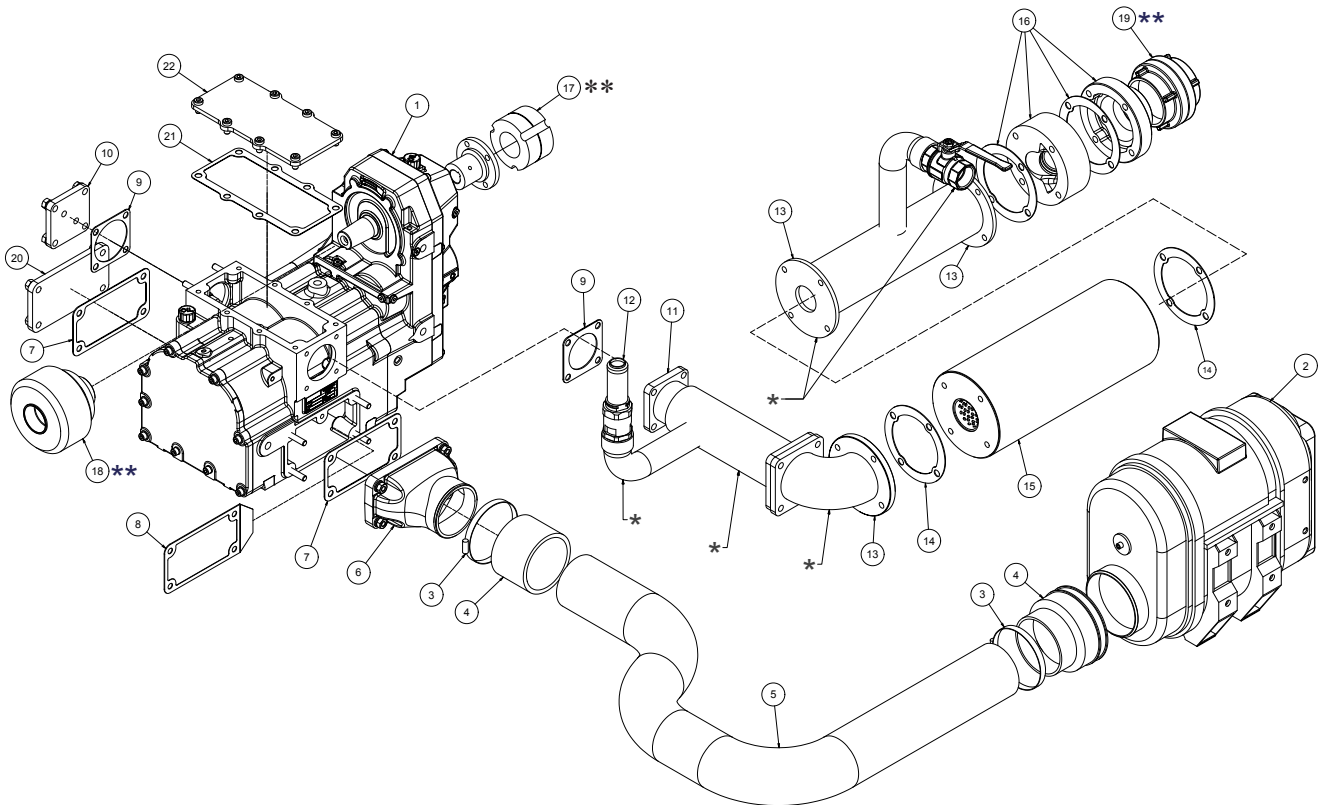
See section 3.7

Installation

3.9 Package 1 - Separate ancillaries with absorptive discharge silencer

CAUTION

Compressors should never be started against pressurised discharge lines or tanks.



** - Indicates optional item.
* - Indicates customer supplied pipework.

Ref. No.	Description	Ref. No.	Description
1	TR20 Basic M/C	11	Outlet Flange (S0W) - 77mm Bore
2	Inlet Filter	12	Relief valve - 1.25", 2.5barg
3	3.75" Hose Clip	13	Flange TW1 (S0W) - 80mm Bore
4	Hose Adaptor (Cuff)- Nitrile	14	Gasket, 90mm NB, TWI
5	Ducting -2m x 89mm Bore	15	2.5" Absorptive Discharge Silencer
6	Inlet manifold - TR20	16	Check Valve Kit (3" BSP Outlet)
7	Inlet gasket	17	Shear Coupling (K1310/DIN100)
8	Commissioning Filter	18	Friction Coupling (K1310/DIN100)
9	Gasket - Outlet Port	19	Storz Coupling - 3" BSP
10	Outlet Blanking Flange	20	Inlet Blanking Flange
		21	Secondary Outlet Gasket
		22	Secondary Outlet Flange

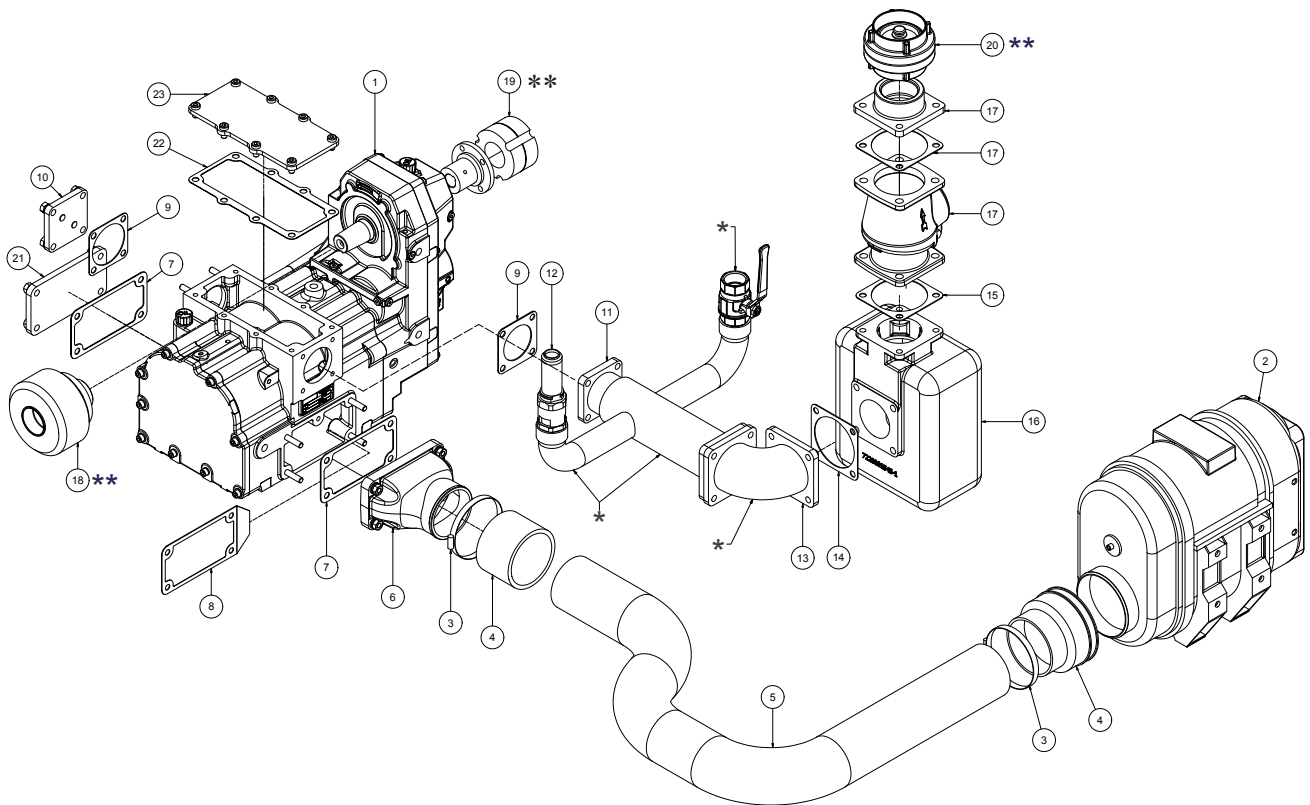
Figure 10a Absorptive, separate ancillaries.

Installation

3.10

Package 2 - Separate ancillaries with reactive discharge silencer

CAUTION
Compressors should never be started against pressurised discharge lines or tanks.



** - Indicates optional item.
* - Indicates customer supplied pipework.

Ref. No.	Description	Ref.No.	Description
1	TR20 Basic M/C	11	Outlet Flange (S0W) - 77mm Bore
2	Inlet Filter	12	Relief valve - 1.25", 2.5barg
3	3.75" Hose Clip	13	Flange TW1 (S0W) - 80mm Bore
4	Hose Adaptor (Cuff) - Nitrile	14	Gasket, 90mm NB, TW1
5	Ducting -2m x 89mm Bore	15	Manifold Gasket
6	Inlet manifold - TR20	16	'Drum' Reactive Silencer Assembly
7	Inlet gasket	17	Check Valve Kit (3" BSP Outlet)
8	Commissioning Filter	18	Friction Coupling (K1310/DIN100)
9	Gasket - Outlet Port	19	Shear Coupling (K1310/DIN100)
10	Outlet Blanking Flange	20	Storz Coupling - 3" BSP
		21	Inlet blanking flange
		22	Secondary Outlet Gasket
		23	Secondary Outlet Flange

Figure 10b Reactive, separate ancillaries.

4

Commissioning

4.1 Pre-commissioning check list.

Tick when completed



Lubrication plugs fitted.	
Gearbox filled with oil.	
Pipe bores etc cleaned after fabrication.	
Commissioning filter in position.	
All flanges, fasteners and mountings secure.	
Vehicle PTO disengaged.	
Engine management system set-up correctly for the application.	
Commissioning temperature and pressure probes fitted (see fig. 12)	
Blow (ball) valve open (if starting against a tank pressure).	
Commissioning 2.5"-3" gate valve and silencer fitted.	
Ancillaries correctly fitted and sequenced.	

4.2 Inlet commissioning filter.

The inlet commissioning filter should have been in place throughout the installation of the TR20 and its pipework.

The filter should be removed during commissioning after 15 minutes operation at 900 rpm.

4.3 Monitoring probes.

Two 1/4" BSP blanking plugs are fitted in each of the inlet port flange and unused outlet port blanking flange.

These should be removed and replaced with a temperature probe and a pressure probe for commissioning only. (see Fig. 11)

If Gardner Denver supplied flanges are not used, the installer must provide 2 x 1/4" BSP tappings adjacent to the inlet and outlet ports for the commissioning test probes.

CAUTION



Failure to remove the commissioning filter during commissioning may lead to failure of the compressor.

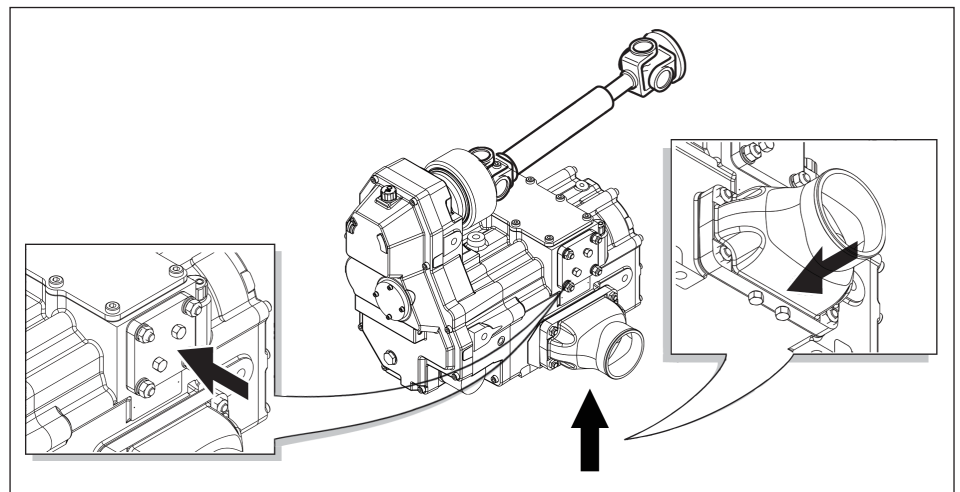


Figure 11. Commissioning Tappings

Commissioning

4.4 Commissioning Procedure

All procedures and temperature readings should be taken via the 4 probes fitted in the TR20 inlet and outlet flanges.

Tick when completed



1	Check that the discharge gate valve on the pipework is open.	
2	Start the engine, depress the clutch and allow the vehicle gearbox parts to stop rotating (5 seconds should be sufficient). Engage the PTO and slowly raise the clutch, then set the engine speed to give a PTO output of 900 rpm.	
3	Whilst the compressor is operating, check the pipework for leaks and gently agitate the inlet to release any debris that may be present.	
4	After 15 minutes, depress the clutch, and disengage the PTO.	
5	Check the oil/fill level and drain plugs for leaks, and replace the commissioning filter with the inlet gasket supplied being careful to remove any debris that could fall into the pipe bore.	
6	Repeat point 2 above and set the speed to 1650rpm or the future/working operating speed.	
7	Record the inlet depression and check for induction leaks. A maximum of 70mbar is permitted on a new machine, if it is greater than this, check the inlet pipes and filter for potential blockages and that the commissioning filter has been removed.	
8	Raise the discharge pressure to just below 2.2 barg by adjusting the gate valve setting. Check for system leaks. If all is well, run the compressor for 45 minutes recording temperatures and pressures at 10 minute intervals. Measure the inlet and outlet pressure and temperature as well as the ambient temperature. Re-check for oil leaks	
9	Increase the pressure beyond this to operate the relief valve.	
10	The relief valve should crack (begin to open/blow off) at a pressure not exceeding 2.2 bar g and then fully open (full bypass) at no more than 2.2 bar g.	
11	Slowly reduce the pressure until the relief valve re-seats (should be before 1.9 bar g) and record this value on the commissioning test sheet.	
12	Make sure that all flanges are leak free and that fastenings/ mountings are still tight.	
13	Disengage the PTO, return the engine speed to tick over and then stop the engine.	
14	Remove the commissioning probes and plug off the holes again.	

CAUTION



If the outlet temperature exceeds 250°C or the difference between inlet temperature and outlet temperature exceeds 220°C, whichever occurs first stop the test immediately and contact the Gardner Denver Representative.

Max. Inlet Depression

100mbar under all circumstances. 70mbar with the commissioning filter removed.

Max. Discharge Pressure

2.2 bar g

NOTE



Watch out for hot-pipes and make sure you replace/re-tighten any fastenings.

On completion of the installation and driver training, complete the commissioning chart, sign, date and retain for future reference.

We also recommend photographing the installation and retaining with the commissioning chart.

Commissioning

No. Description

- 1 Pressure Manometer
- 2 Temperature Gauge
- 3 Pressure Tapping (Inlet depression)
- 4 Temperature Tapping (Inlet)
- 5 Commissioning Filter
- 6 Pressure Gauge
- 7 Pressure Tapping (Discharge)
- 8 Temperature Tapping (Discharge)

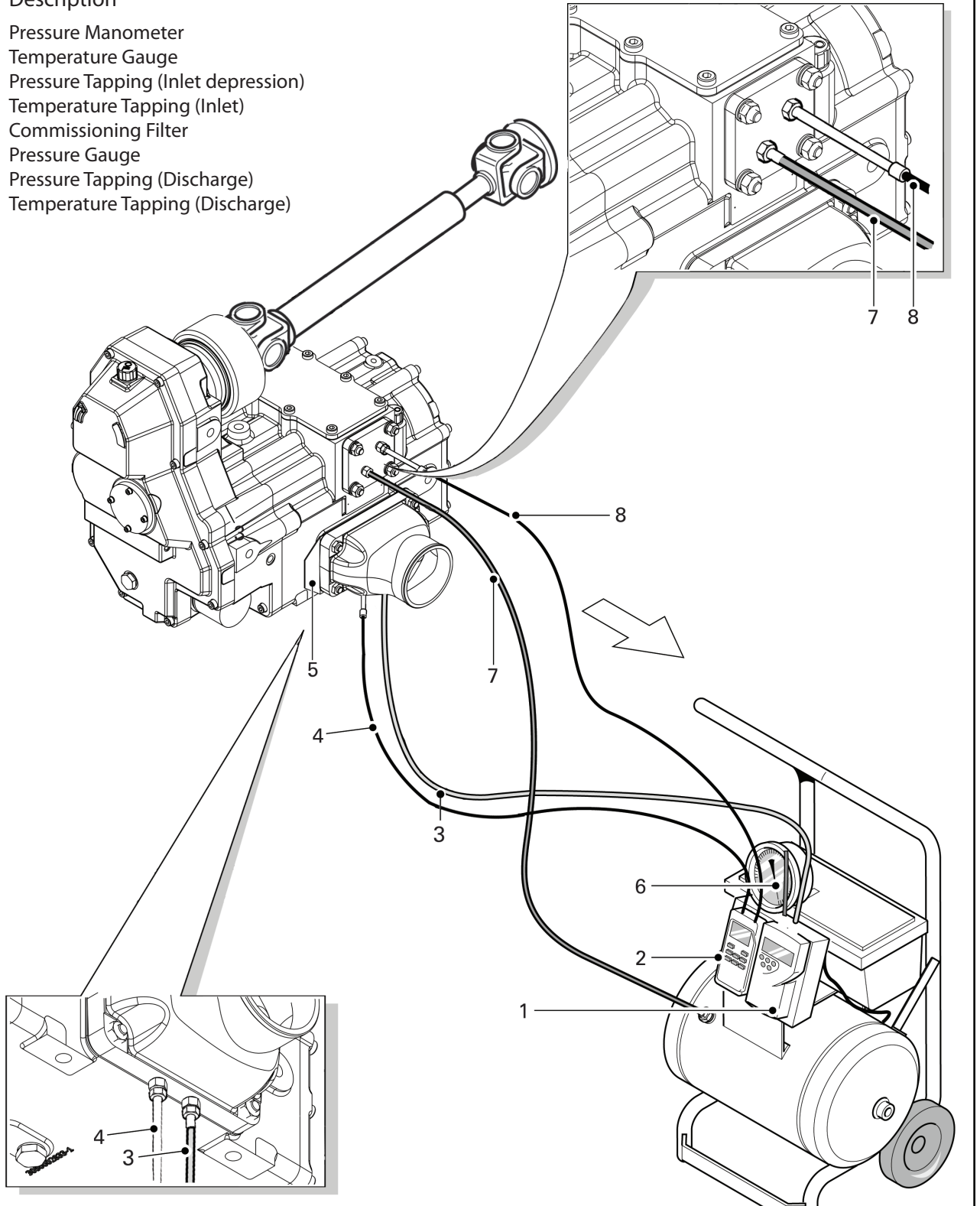


Figure 12. Commissioning Tests

Commissioning

CAUTION



Where the operator will be subjected to prolonged exposure to noise, it is recommended that ear protection is provided.

CAUTION



To avoid risk of burns, do not touch pipework or stand close to ventable valves during discharge. If there is a risk, suitably resistant gloves/clothing must be used.

CAUTION



Do not operate compressor against dead head or pressurised tanker. This will result in premature component or/and system failure.

4.5 Driver Operating Instructions

The input speed should be between 900 and 1650 rpm and the maximum pressure should not exceed 2.2 bar gauge.

To prevent high shaft torque and material blow-back, the TR20 should never be started directly against a pressurised tank. Mid-delivery re-starting should only be undertaken direct to atmosphere by opening the valve fitted in the discharge line (prior to the check valve). When the compressor reaches operating speed, the valve can be slowly closed again to restart delivery.

Inclination Angle

The maximum permitted inclination angle when operating the TR20 is:

10° fore and aft

10° left to right

Pre-Start Procedure

- Check engine fuel level (if applicable).
- Check compressor oil level.
- Connect pressure lines.
- Check inlet filter has no blockages.
- Ensure tanker is not pressurised.
- Ensure pressure lines are open.
- If pressurised, open ball valve on the tanker.

Starting the compressor

- Check that the PTO is disengaged and then start the engine.
- Set the engine speed to tick over.
- Depress the clutch and allow a minimum of 5 seconds for the gears to stop rotating.
- Engage the PTO.
- SLOWLY release the clutch.
- Check that the TR20 is producing air.
- Set the engine speed to give a compressor operating speed between 900 rpm and 1650 rpm as required.

Commissioning

CAUTION



Stop the package immediately if the engine or compressor begins to operate erratically.

Correct Operation

- Avoid back pulses to the compressor from the application.
- Adjust the mix or division of the air between aeration, top and boost valves on the powder tank valve so that the materials flow smoothly.
- Watch for any sudden changes in compressor or engine operation.
- Observe correct operation of the compressor relief valve.

Stopping the compressor

- Return the engine speed to tick over
- Disengage the PTO.
- Stop the engine.

4.6 TR20 Driver training

All drivers should be given training, including:-

Safety

Instruct the driver regarding:

- Rotating parts
- Hot pipework
- Safety valve
- Safety coupling

Operation

Instruct the driver regarding:

- Speed range
- Maximum operating pressure
- PTO engagement
- Unloading valve

Routine Maintenance

Instruct the driver regarding:

- Gearbox oil - topping-up and replacement
- Air filter - cleaning/replacing
- Pipe connections - checking
- Relief valve function

Commissioning

TR20 COMMISSIONING TEST

SERIAL NO.

DATE COMMISSIONED

TIME	DURATION	INPUT SPEED Rpm	PRESSURE BAR (g)	BARO. m.bar	INLET DEPRESSION	RELIEF VALVE LIFT	RELIEF VALVE PEAK	RELIEF VALVE BYPASS	AMBIENT TEMP °C	AIR IN T2 °C	AIR OUT T1 °C	DELTA (t) °C	COMMENTS

COMMENTS

DRIVER TRAINING COMPLETED

COMMENTS

CUSTOMER

VEHICLE REG

VEHICLE MAKE

VEHICLE MODEL

PTO TYPE

RATIO

ENGINE SPEED

5

Maintenance

NOTE



The relief valve should be operated every 3 months to clear the valve seat and check that the valve is functional.

(Ear protection is recommended)



NOTE



500 hours is the maximum oil change interval.

NOTE



If the TR20 unit cannot be completely drained of oil without tilting the unit, it will be sufficient to drain as much as possible.

5.1 Schedule

Daily

- Check Air Filter blockage indicator and clean or replace filter element if required.

Weekly

- Where the compressor is mounted on a vehicle and located outside, it should be operated for at least 15 minutes each week (twice a week in damp/cool conditions).

Monthly

- Check gearbox oil level
- Check function of Relief Valve
- Remove air filter and clean inside the casing.
- Check security of compressor and pipe mountings.

500 hours run time or every 12 months (whichever is sooner)

- Change the gearcase oil & filter; see section 5.2
- Drain plugs - clean magnetic part (plug See Fig.6)

Annually

- Examine the internals of the check valve
- Examine pipes and silencers for corrosion and replace as required
- Replace Air Filter element
- Check Relief Valve function, setting and visually.

Drive systems must be maintained in accordance with the manufacturers instructions.

5.2 Changing the gearcase oil - see fig 6

1. Remove the magnetic drain plugs and sealing washers (can also remove the fill/level plugs for faster drainage).
2. Allow the oil to drain into a can for environmental disposal.
3. Change the oil filter.
4. Clean and then refit drain plugs and re-fill the gearcase with approximately 2.5 litres of oil.
5. Ensuring that the TR20 is level, check oil level by removing a fill plug. There should be a slight leakage of oil with the plug removed.

Maintenance

5.3 Valves

NOTE



New gaskets may be required when inspecting the check valve.

Check Valve

The check (non-return) valve should be removed and visually checked for signs of wear. If in any doubt, replace the entire valve.

Relief Valve

The screwed top of the relief valve (lifting screw) can be used to check/clear the relief valve during operation. This removes the necessity for using separate ancillaries/valves in the discharge line making checking much easier and faster. With the compressor operating at greater than 85% of its pressure setting:-

Setting	85%
2 bar(g)	>1.7 bar(g)
2.2 bar(g)	>1.87 bar(g)

Operation / Function Test

1. Rotate the lifting screw ACW until a clear, audible, air discharge is produced.
2. Rotate the lifting screw CW until it reaches the limit stop.

The valve is now checked and ready for operation.

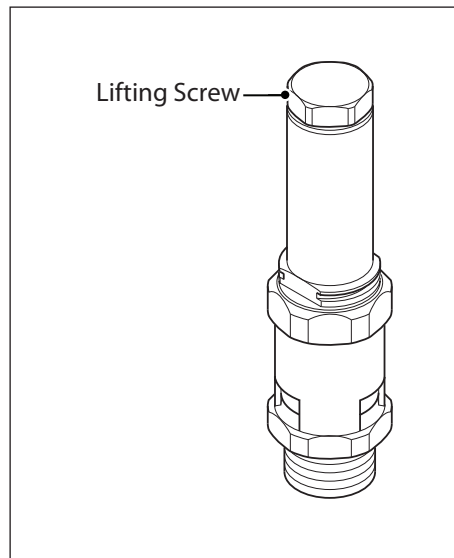


Figure 13. Relief Valve

5.4 Silencers / Pipework

The silencers and pipework should be inspected for signs of damage or corrosion. When paintwork is damaged, clean off any corrosion and treat with rust inhibitor before repainting. Use paints that can withstand temperatures of 180°C.

Maintenance

5.5 Air Inlet Filter

The blockage indicator is designed to show/hold the maximum inlet blockage encountered. It is set to show 100% blockage when the inlet depression reaches 37mbar. The filter element should be replaced/cleaned before the indicator enters the red portion of the blockage scale.

If the indicator valve has entered the red portion of the scale:

1. Press the reset button and re-check with the compressor operating.
2. If the blockage indicator still returns to red, the filter must be cleaned or replaced as below.

Note: Stop the machine before cleaning or replacing filter elements.

Cleaning the filter casing / element

The air filter is fitted with a blockage indicator to show when the filter requires cleaning. If this indicator shows red when the compressor is operating then the filter must be cleaned or replaced as follows:

To clean the casing, it may be necessary to unbolt the filter casing from the vehicle.

1. Remove the top cover by releasing the retaining latches and withdraw the filter element.
2. Clear any dirt/debris from inside the casing and the top cover.
3. Clean the filter element by blowing compressed air through it from the inside outwards.
4. Replacement of the element/top cover is a direct reversal of above.

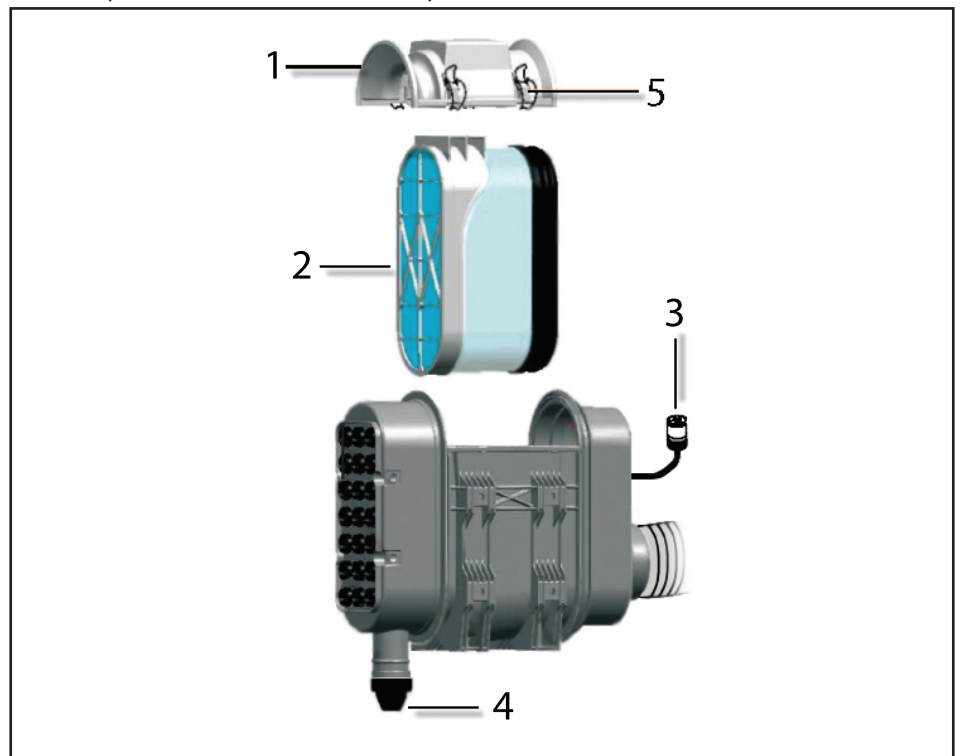


Figure 14a. Replacing Air Filter

5.6 Alternative Oils

The TR20 is supplied filled with GD AEON S150 synthetic oil. Other ISO 150 Poly alpha Olefin (PAO) grade oil with EP (extreme pressure) additives can theoretically be used, but may affect the long term reliability of the machine. All oils should be checked that they are mixable with both mineral and other Synthetic PAO variants used without a reduction in performance.

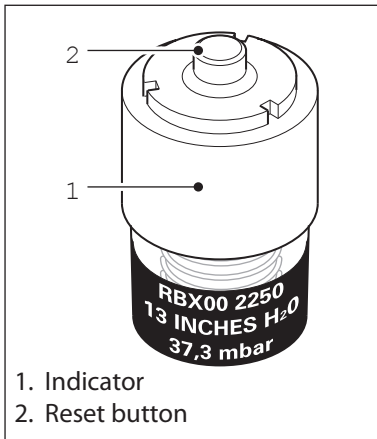


Figure 14b. Blockage indicator

NOTE



Filter elements should be replaced every 12 months or sooner if restriction is indicated by the blockage indicator.

No. Description

1. Top Cover
2. Filter Element
3. Filter Blockage Indicator
4. Vacuator Valve
5. Cover Retention Latches

NOTE



ISO 150 EP grade oils from different manufacturers can be mixed.

Service Maintenance Record for TR20 Compressor

Serial Number

Monthly

For the monthly check, simply initial the boxes as the check is completed.

Year _____ starting the month of _____

MONTH	1	2	3	4	5	6	7	8	9	10	11	12
Oil Level												
Relief valve												
Air Filter												
Security												

MONTH	1	2	3	4	5	6	7	8	9	10	11	12
Oil Level												
Relief valve												
Air Filter												
Security												

MONTH	1	2	3	4	5	6	7	8	9	10	11	12
Oil Level												
Relief valve												
Air Filter												
Security												

MONTH	1	2	3	4	5	6	7	8	9	10	11	12
Oil Level												
Relief valve												
Air Filter												
Security												

MONTH	1	2	3	4	5	6	7	8	9	10	11	12
Oil Level												
Relief valve												
Air Filter												
Security												

Annually

For the annual/ 500 operational hours service, initial the box as each check is completed.

MONTH	DATE	DATE	DATE	DATE	DATE
Oil & filter change					
Air Filter					
Check Valve					
Relief Valve					
Silencers					
Pipework					

Contact Us

Americas

Gardner Denver, Inc.
Industrial Products Group - Americas
1800 Gardner Expressway
Quincy, IL 62305
Toll Free: 1-800-682-9868
Phone: 217-222-5400
Fax: 217-221-8780
email: mobilesolutions@gardnerdenver.com

France

Gardner Denver France SA
Division Compresseurs
42, rue du Montmurier, BP 604
38070 Saint-Quentin-Fallavier, France
Phone: +33 (0)474941673
Fax: +33 (0)474941689
email: contact.lyon@gardnerdenver.com

Spain

Gardner Denver Iberica S.L.
Calle Primavera, 20
Poligono Industrial Las Monjas
28850 Torrejon de Ardoz
Madrid, Spain
Phone: +34 (0)916560056
Fax: +34 (0)916770496
email: aurelio.fernandez@gardnerdenver.com

Australia

Gardner Denver Ind. Australia Pty Ltd
30 Bearing Road
Seven Hills
New South Wales
2147 Australia
Phone: +61 2 96207000
Fax: +61 2 96207955
email: hermant.malik@gardnerdenver.com

Germany

Gardner Denver Deutschland GmbH
Am Dorn 14
48308 Senden
Germany
Phone: +49 (0)253634840
Fax: +49 (0)25363484010
email: info.de@gardnerdenver.com

UK Sales & Service

Gardner Denver UK Ltd
PO Box 468
Cross Lane, Tong
Bradford, West Yorkshire
United Kingdom
BD4 0SG
Phone: +44 (0)1274 683131
Fax: +44 (0)1274 651006
email: sales.uk@gardnerdenver.com

Belgium

Gardner Denver Belgium N.V.
Luithagen 7A
Haven 200
B-2030 Antwerpen
Belgium
Phone: +32 (0)3 5415040
Fax: +32 (0)3 5416509
email: info.be@gardnerdenver.com

Netherlands

Gardner Denver Nederland BV
Barwoutswaarder 3B
3449 He Woerden
The Netherlands
Phone: +31 (0)348410150
Fax: +31 (0)348418079
email: sales.nl@gardnerdenver.com

Rest of the World

Gardner Denver Drum Ltd
PO Box 178
Springmill Street
Bradford, West Yorkshire
United Kingdom
BD5 7YH
Phone: +44 (0)1274 718100
Fax: +44 (0)1274 655272
email: gdtransportsales@gardnerdenver.com

The logo for Gardner Denver, featuring the word "Gardner" in a bold, black, sans-serif font above the word "Denver" in a larger, bold, black, sans-serif font. A thick red horizontal line is positioned between the two words.

For additional information, contact your local representative or

Gardner Denver Ltd
PO Box 178,
Springmill Street,
Bradford,
West Yorkshire, UK
BD5 7HW

Tel: +44 (0)1274 718100
Fax: +44 (0)1274 655272
Email: gdtransportsales@gardnerdenver.com
Web: www.gd-transport.com

© 2016 Gardner Denver Ltd.